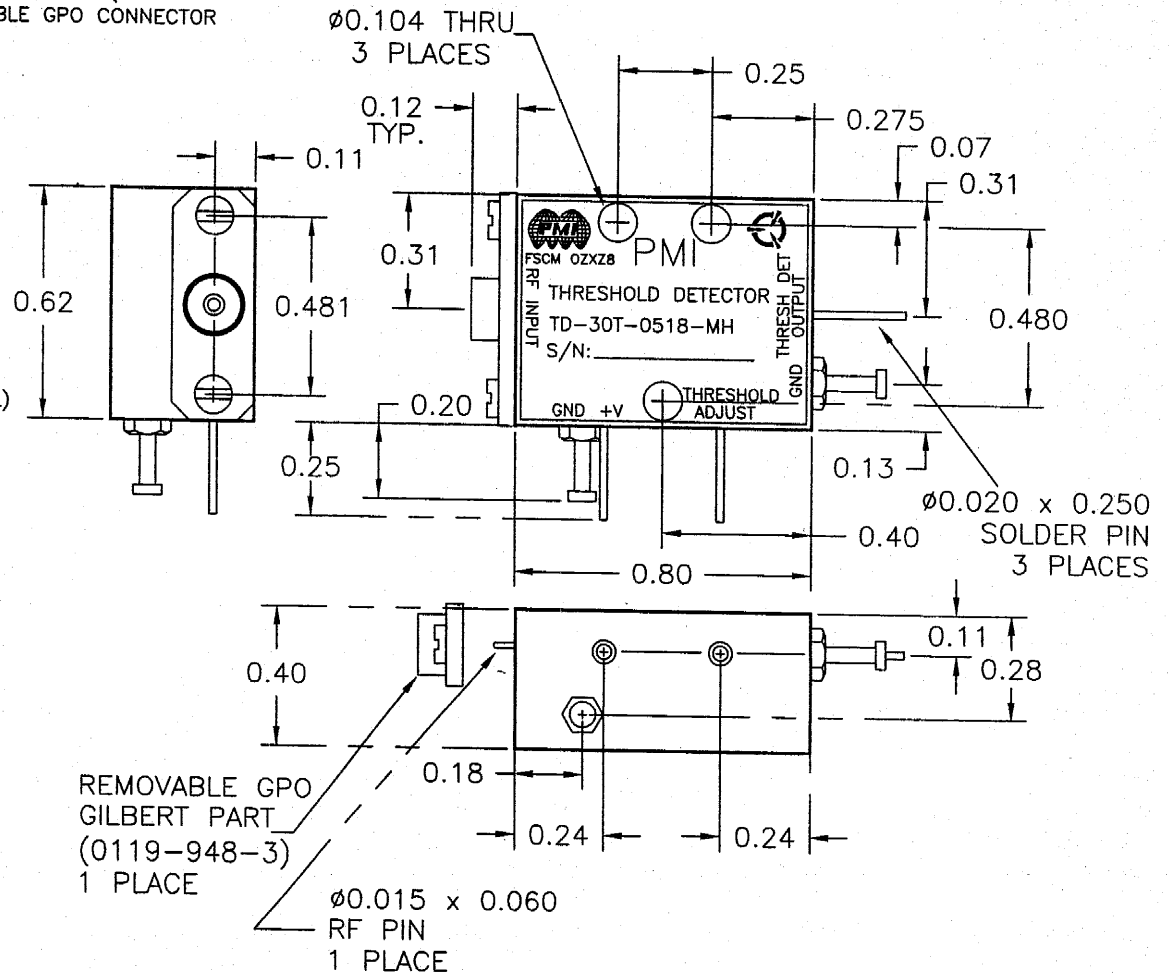


DESCRIPTION:

PMI MODEL #'S TD-30T-0518-MH AND TD-30T-0418-MH ARE A HIGH SPEED THRESHOLD DETECTOR DESIGNED TO OPERATE OVER THE 0.5 TO 18 GHz AND 0.4 TO 18 GHz FREQUENCY RANGE, WITH A DYNAMIC RANGE OF -18 TO +5 dBm, AND TYPICAL VSWR OF 2.0:1 (2.5:1 MAXIMUM). THIS UNIT COMES IN A VERY SMALL SIZE WITH FIELD REMOVABLE GPO CONNECTOR ON THE INPUT AND SOLDER PIN ON THE OUTPUT.

SPECIFICATIONS:

- FREQUENCY:
 - TD-30T-0518-MH: 0.5 GHz TO 18 GHz MINIMUM
 - TD-30T-0418-MH: 0.4 GHz TO 18 GHz MINIMUM
- VSWR: 2.5:1 MAXIMUM (2.0:1 TYPICAL)
- DYNAMIC RANGE: -18 dBm TO +5 dBm MINIMUM,
- INPUT FLATNESS: ±2.0 dB MAXIMUM, (±1.0 dB TYPICAL)
- RESPONSE TIME: 100 nSEC MAXIMUM, (50 nSEC TYPICAL)
- OUTPUT TTL
- POWER SUPPLY: +7V TO +15V @ 100 mA MAXIMUM
- RF INPUT CONNECTOR: REMOVABLE GPO
- OUTPUT CONNECTOR: SOLDER PIN
- SIZE: 0.80" x 0.62" x 0.40"
- WEIGHT: 0.50 OUNCE



ENVIRONMENTAL RATINGS:

- TEMPERATURE: -55°C TO +85°C (OPERATING)
..... -65°C TO +125°C (STORAGE)
- HUMIDITY: MIL-STD-202F, METHOD 103B COND. B
- SHOCK: MIL-STD-202F, METHOD 213B COND. B
- VIBRATION: MIL-STD-202F, METHOD 204D COND. B
- ALTITUDE: MIL-STD-202F, METHOD 105C COND. B
- TEMPERATURE CYCLE: MIL-STD-202F, METHOD 107D COND. A

ALL DIMENSIONS ARE IN INCHES
TOLERANCES:

- X.XX ±0.020
- X.XXX ±0.010

NOTE: THE ABOVE SPECIFICATIONS ARE SUBJECT TO CHANGE OR REVISION

ZONE		REV.		REVISIONS		DATE	APPROVED
				ORIGINAL RELEASE		8/9/00	

CONFIDENTIAL AND PROPRIETARY

PART NO.		FSCM NO.		DWG NO.		REV.
APPROVALS		DATE		TITLE		
DRAWN <i>WSP</i>		8/9/00		PRODUCT FEATURE TD-30T-0518-MH & TD-30T-0418-MH		
CHECKED <i>MA</i>		8/21/03		A 60483 100-4845-4		
ISSUED				SCALE		
				SHEET 1 of 2		



PLANAR MONOLITHICS INDUSTRIES
FREDERICK, MARYLAND